

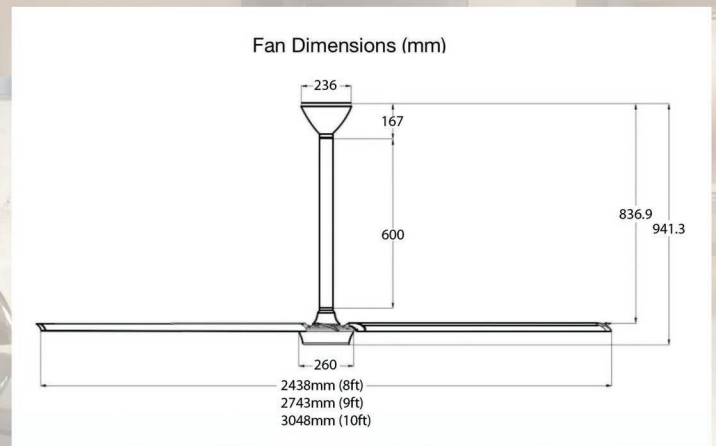
Gale II

One of the most energy-efficient fans available today for homes, schools, commercial and industrial spaces. A highly efficient brushless-DC motor coupled with digital electronics, powers six aluminium fan blades to circulate air effectively.



Features

- Brushless, Direct-Current (BLDC) Motor
 - Aluminium Blades
 - 5 Speed with Reverse Option
 - High Air Delivery
 - Quiet Operation
 - Available in Black / White
- *Colour customise with additional charges.*



Speed	Power Consumption	RPM			Wind Speed			Air Delivery			Weight
		96" (8ft)	108" (9ft)	120" (10ft)	96" (8ft)	108" (9ft)	120" (10ft)	96" (8ft)	108" (9ft)	120" (10ft)	
1 (Lowest)	20W	63	55	45	2.1m/s	1.8m/s	1.6m/s	20727.53CFM	22485.67CFM	24675.63CFM	21.5kg (96"/8ft)
2	43W	75	67	57	2.7m/s	2.2m/s	1.9m/s	26649.68CFM	27482.48CFM	29302.31CFM	22kg (108"/9ft)
3	68W	85	76	66	3.2m/s	2.5m/s	2.65m/s	31584.8CFM	31230.09CFM	40869.01CFM	22.5kg (120"/10ft)
4	98W	93	82	72	3.6m/s	3.2m/s	2.85m/s	35532.9CFM	39974.52CFM	43953.46CFM	-
5 (Highest)	157W	115	99	85	4.5m/s	3.8m/s	3.5m/s	44416.13CFM	47469.74CFM	53977.94CFM	-

*Specifications subject to change without notice Picture illustration may varies with actual products supplied